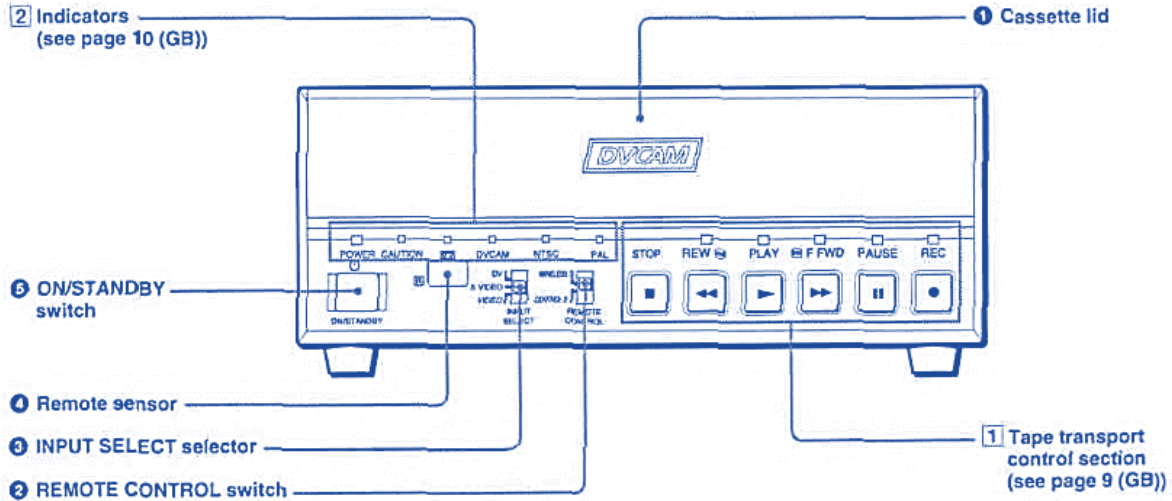


# Transferring DVCAM/MiniDV



## Step 1: Setup

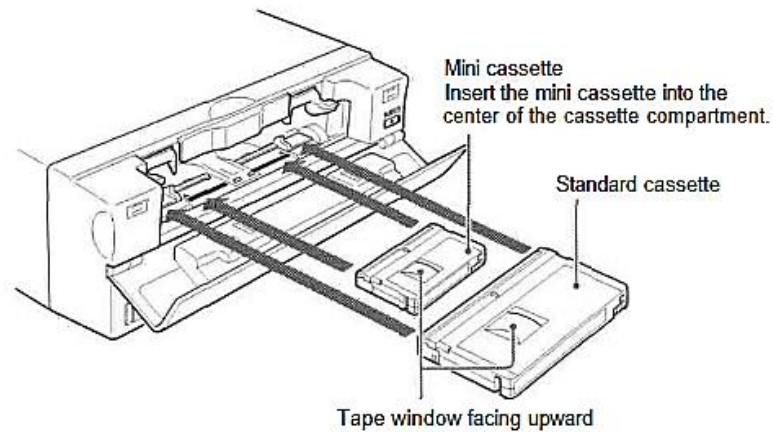
### What to do with the Switcher

- Make sure the Switcher is set to **Input 3: DVCAM**



### What to do with the DVCAM deck

- Make sure the DVCAM deck is powered on. The light should be green.
- Gently insert your tape into the DVCAM deck. The cassette will automatically load once placed in the proper position.



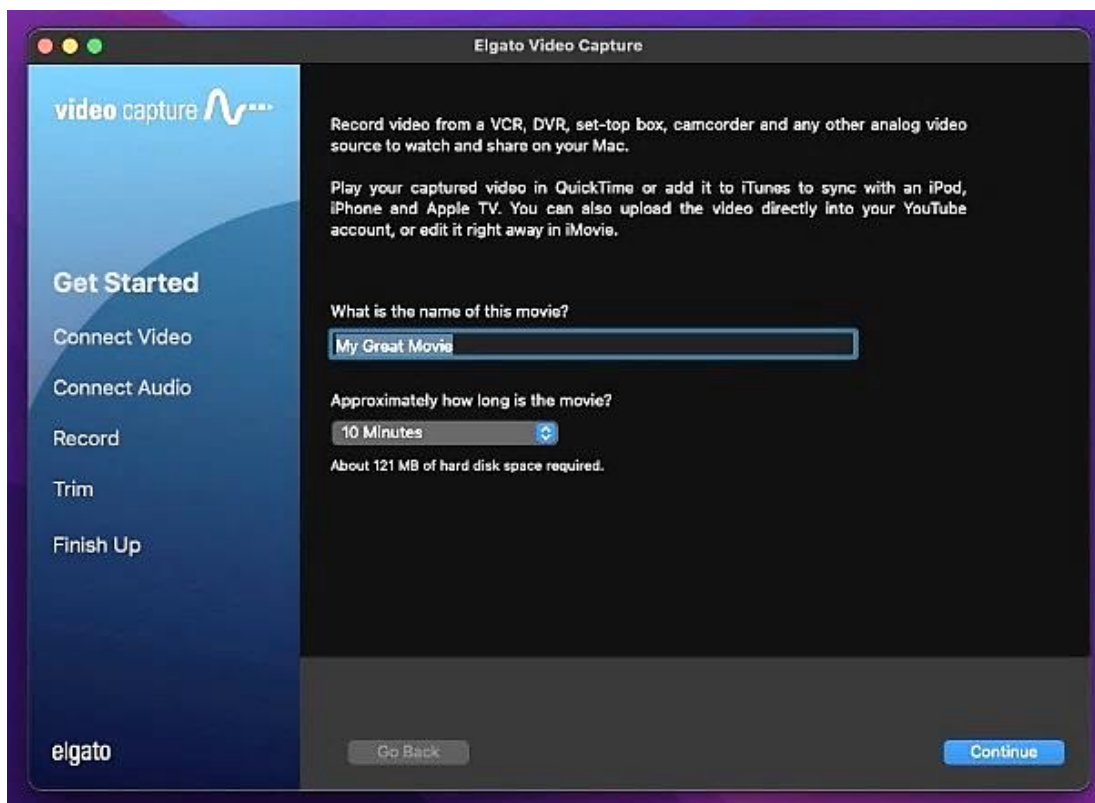
## Step 2: Open Elgato Video Capture

- Close all open programs, if any, on the Mac.
- Click on the **Elgato Video Capture** icon in the dock at the bottom of the screen.



## Step 3: Get Started

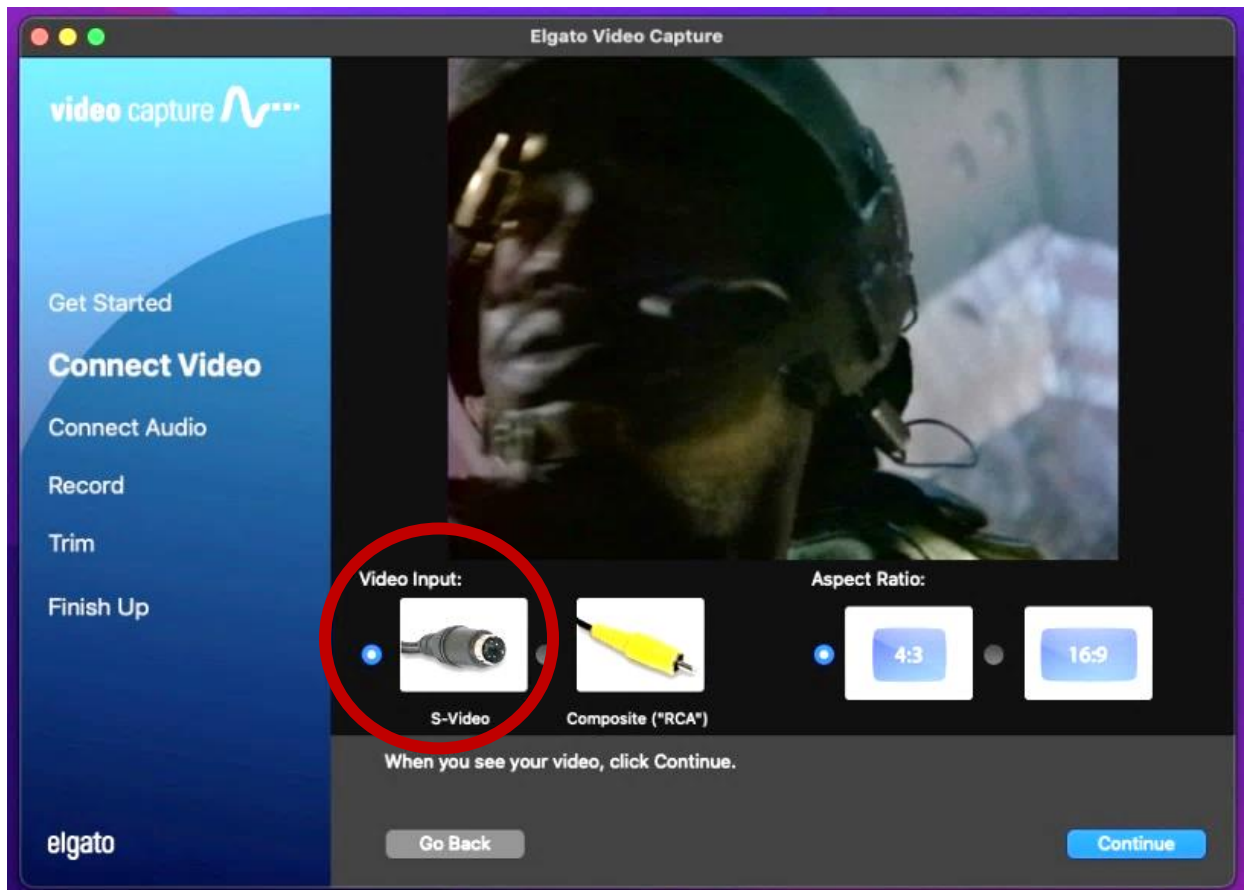
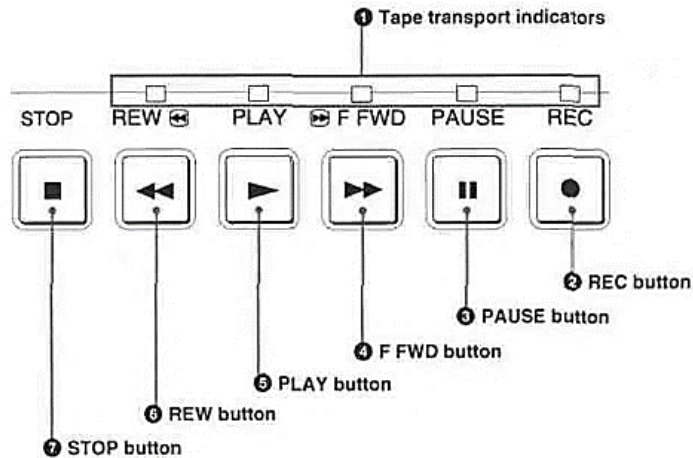
- **Elgato Video Capture** will open to this window:



- Give your movie a title.
- Use the drop-down menu to select the approximate length of your movie.
- Click on CONTINUE.

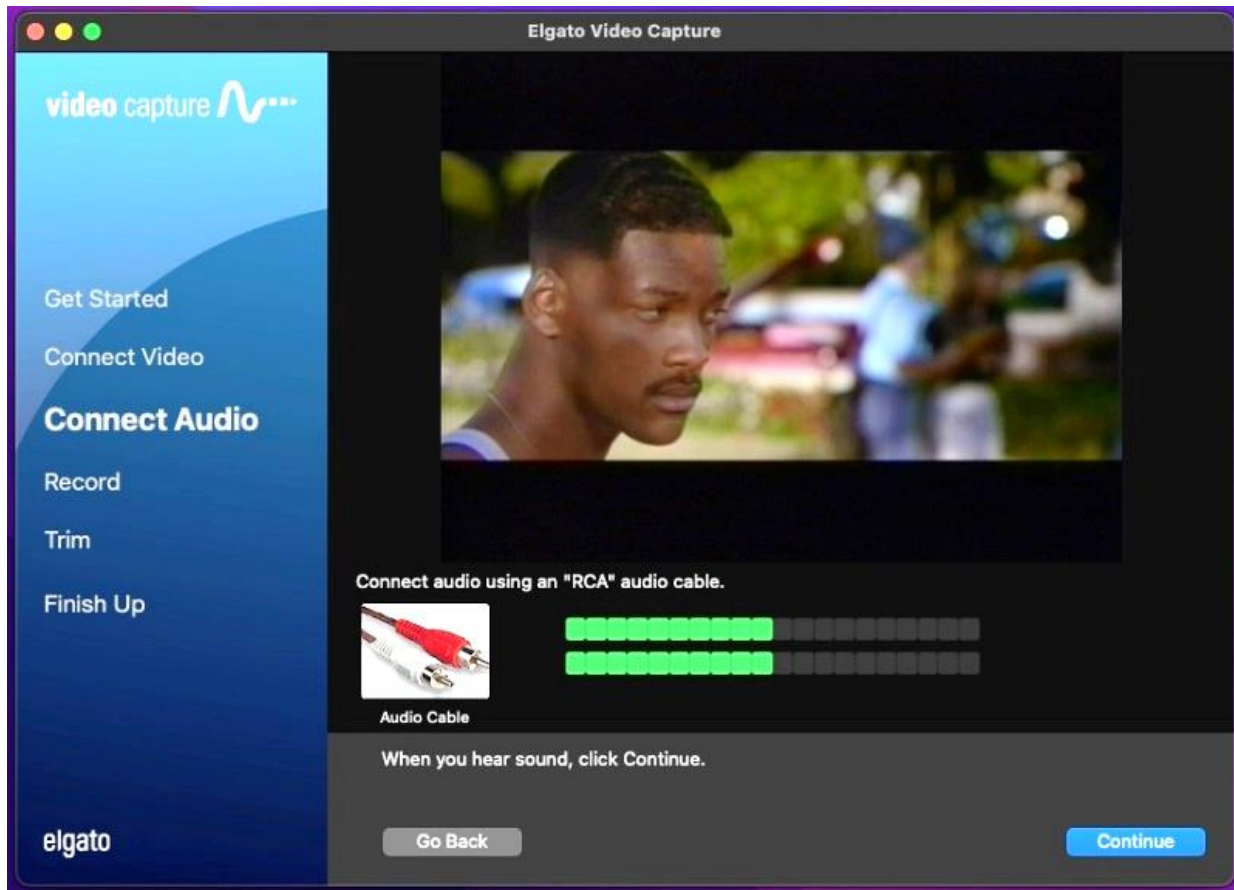
## Step 4: Connect video

- Press the PLAY button on the DVCAM deck to preview your movie.



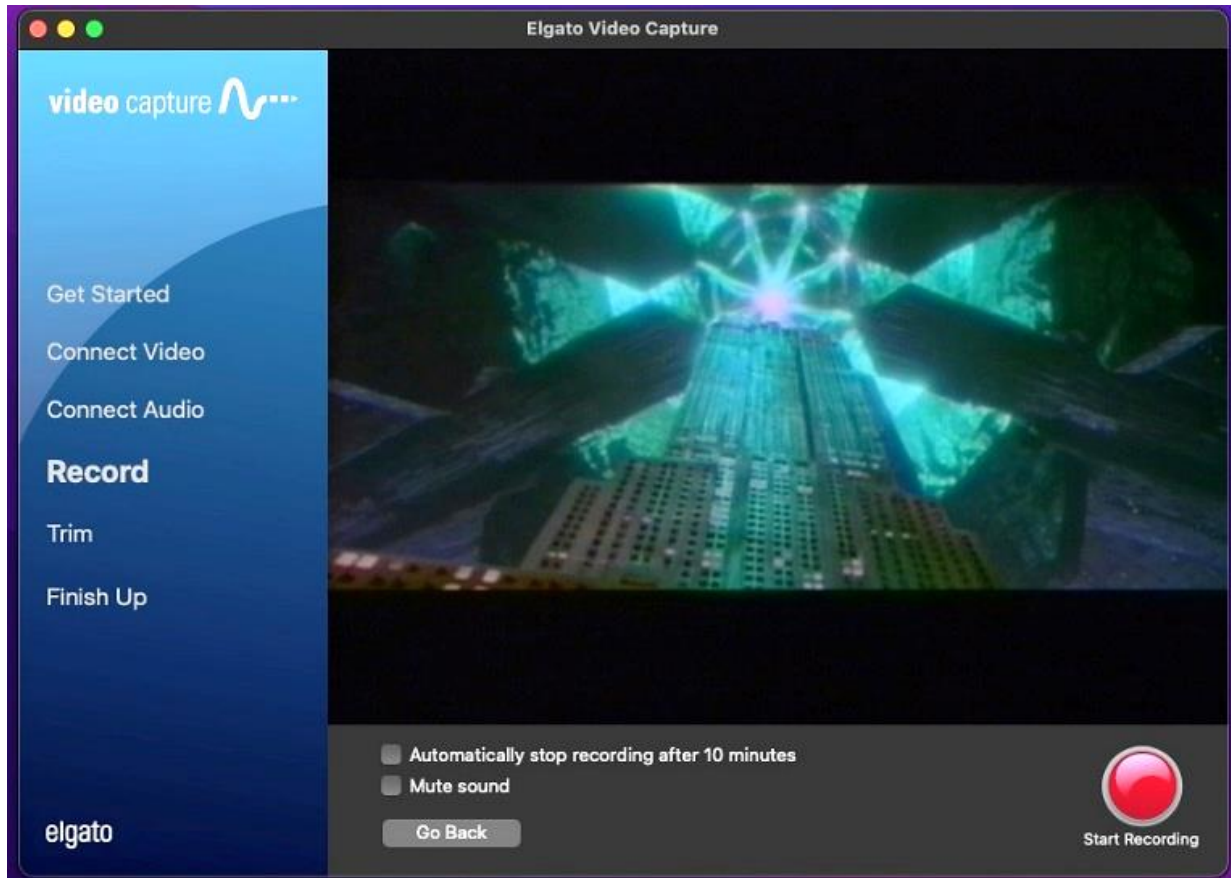
- Make sure S-VIDEO is selected in the software under **Video Input**.
- Use the **Aspect Ratio** option to select the most appropriate ratio for your movie. For most home movies, use 4:3.
- Click CONTINUE.
- If you can hear audio, but cannot see your video in the **Elgato** software, make sure all other programs are closed and restart **Elgato**. If problems persist, contact an SFPL staff member.

## Step 5: Connect Audio



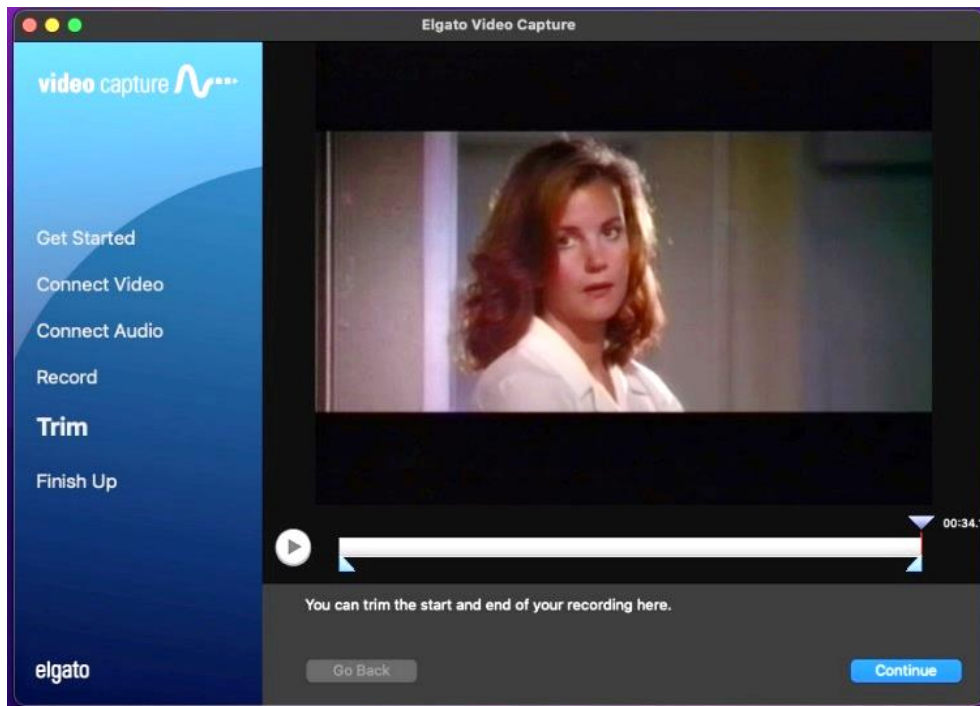
- With your movie playing, you should see moving green bars that represent your movie's audio track. Make sure you are viewing a portion of your video that contains audio.
- If both audio and video signals appear correct, hit STOP on the DVCAM deck, then hit REWIND to go back to the beginning of the tape.
- Select CONTINUE on the **Elgato Video Capture** software.

## Step 6: Record



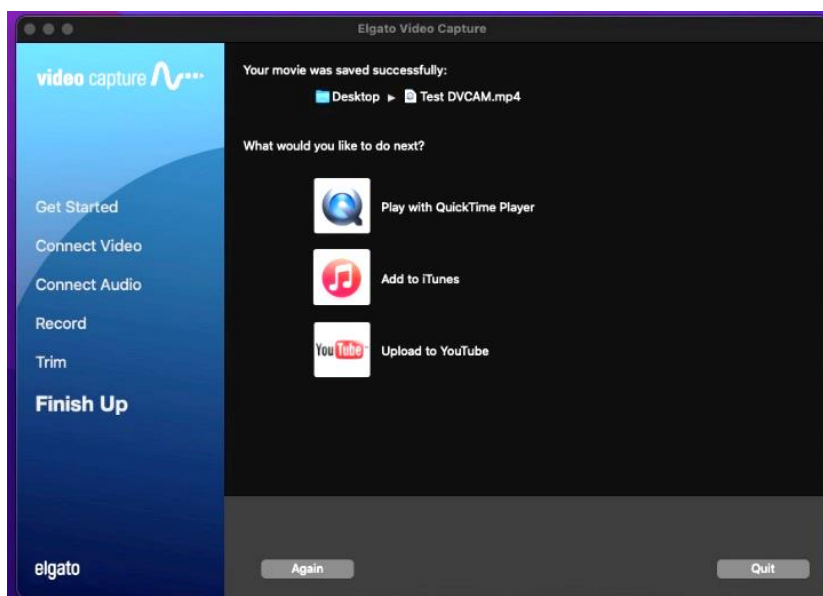
- Select **START RECORDING** on the **Elgato Video Capture** software.
- Press **PLAY** on the DVCAM deck.
- You should again see your movie playing in the **Elgato** window.
- When you want to stop recording, press the **STOP RECORDING** button in the software, then hit **STOP** on the DVCAM deck.

## Step 7: Trim



- If necessary, move the tabs underneath the video screen to trim the ends of your digitized movie.
- Click CONTINUE.

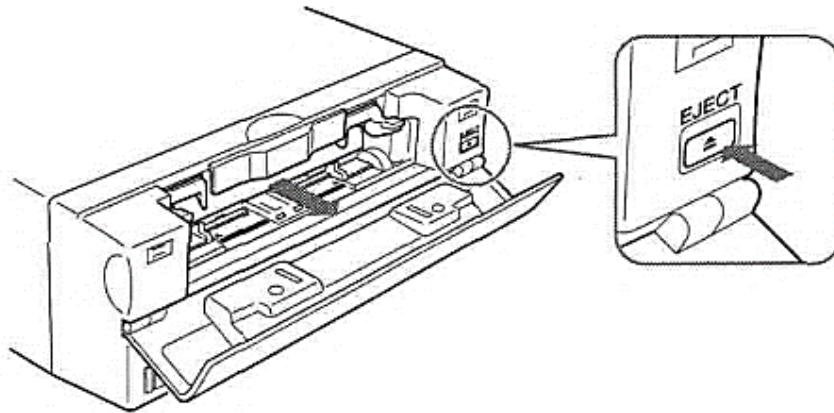
## Step 8: Finish up



- If you want to watch your digitized movie, select **PLAY WITH QUICKTIME PLAYER** on the **Elgato Video Capture** software. If you choose this option and get an error message, your movie is still rendering. Wait a few seconds and try selecting **PLAY WITH QUICKTIME PLAYER** again.
- If you want to digitize another movie, click **AGAIN** and go back to **Step 1**.
- If you are finished, click **QUIT**.

### Step 9: Save your video on your storage device

- Plug in your storage device to the grey Anker USB hub.
- Drag your movie from the desktop to the disk image of your storage device.
- Safely eject your device from the computer by dragging its disk image to the eject icon (trash can) on the bottom of the desktop.
- Eject your tape from the DVCAM deck using the button located at the right side of the cassette compartment



### Step 10: Check out

- **Notify a staff member to be checked out of the DIY Digi Lab.**
  - **IMPORTANT:** If you are not checked out of the DIY Digi Lab by a library staff member, **you will not be allowed back.**

**Don't forget your tape and storage device!**